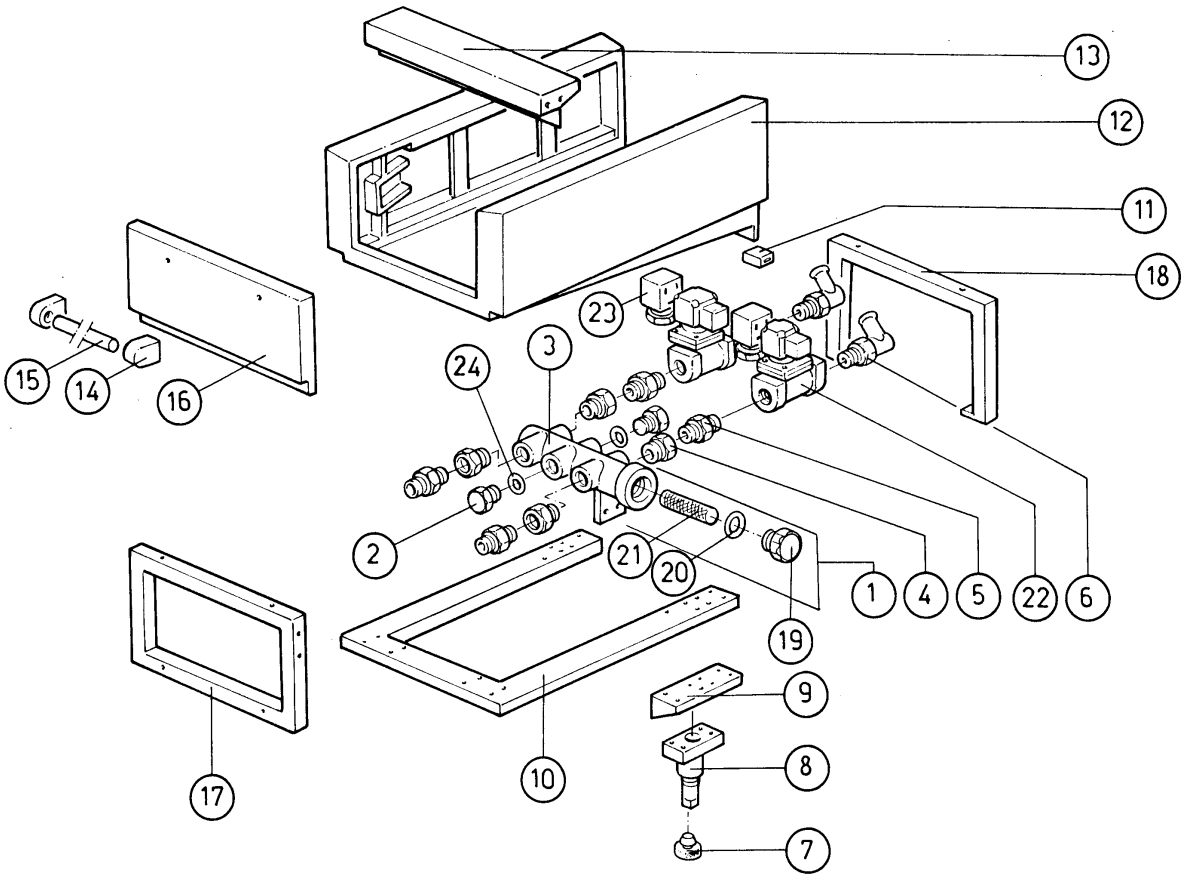


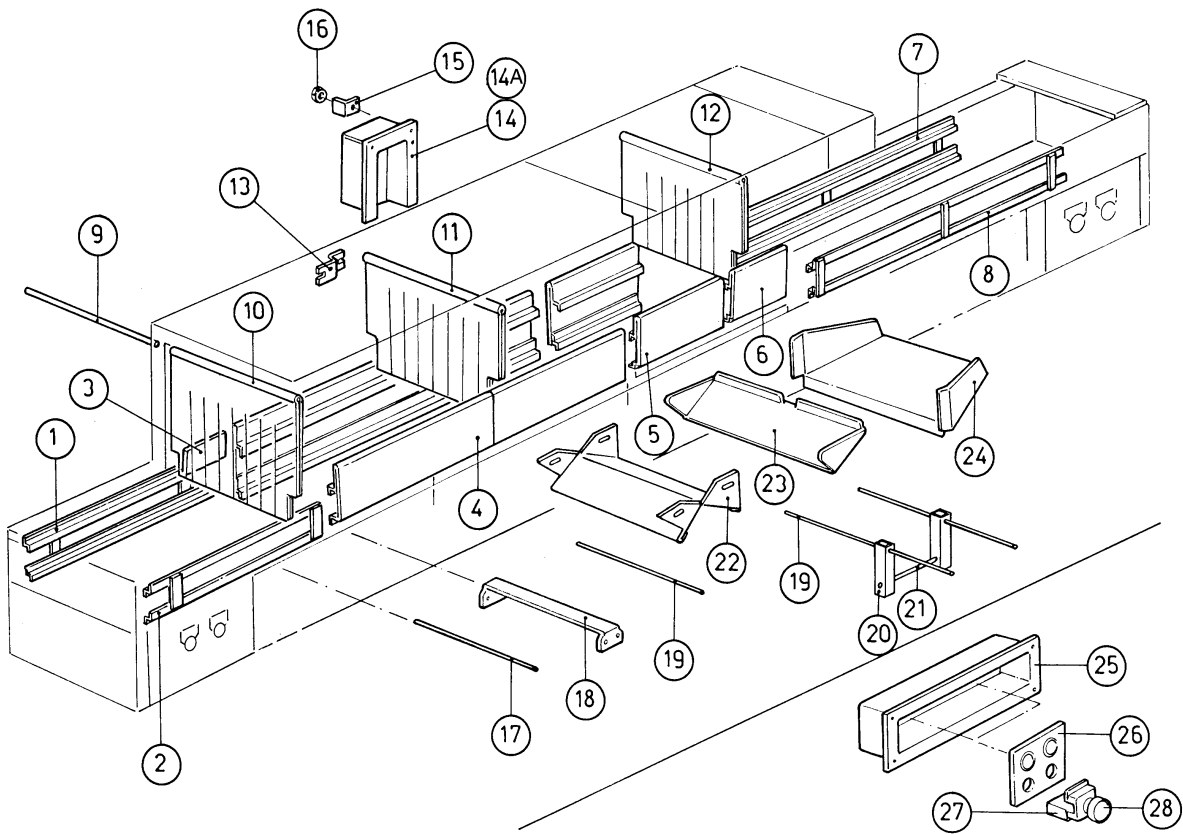
2 - Hood

| CODE | DESCRIPTION |
|-------------|-------------------------------|
| 160527 | PLUG 14,5X2X8 |
| 190129 | HANDLE SUPPORT SE NE GREY |
| 200402 | SELF-ADHES.RUBB.SPONGE STRIPS |
| 320989 | DOOR |
| 320990 | DOOR 600 |
| 320991 | DOOR |
| 330760 | DOOR CATCH S3Ø-S90.SNL |
| 330778 | BRACKET |
| 331012 | HANDLE 412 MM DOOR SE NE G115 |
| 331013 | HANDLE 717MM FOR SE-NE DOORS |
| 331014 | SHORT HANDLE F. RINSE DOOR NE |
| 331425 | DOOR CATCH BRACKET SE |
| 341434 | WASH TANK NG |
| 341506 | WASH HOOD 1000 NG |
| 341508 | RINSE HOOD 1000 NG |
| 341509 | HOOD |



3 - Loading table

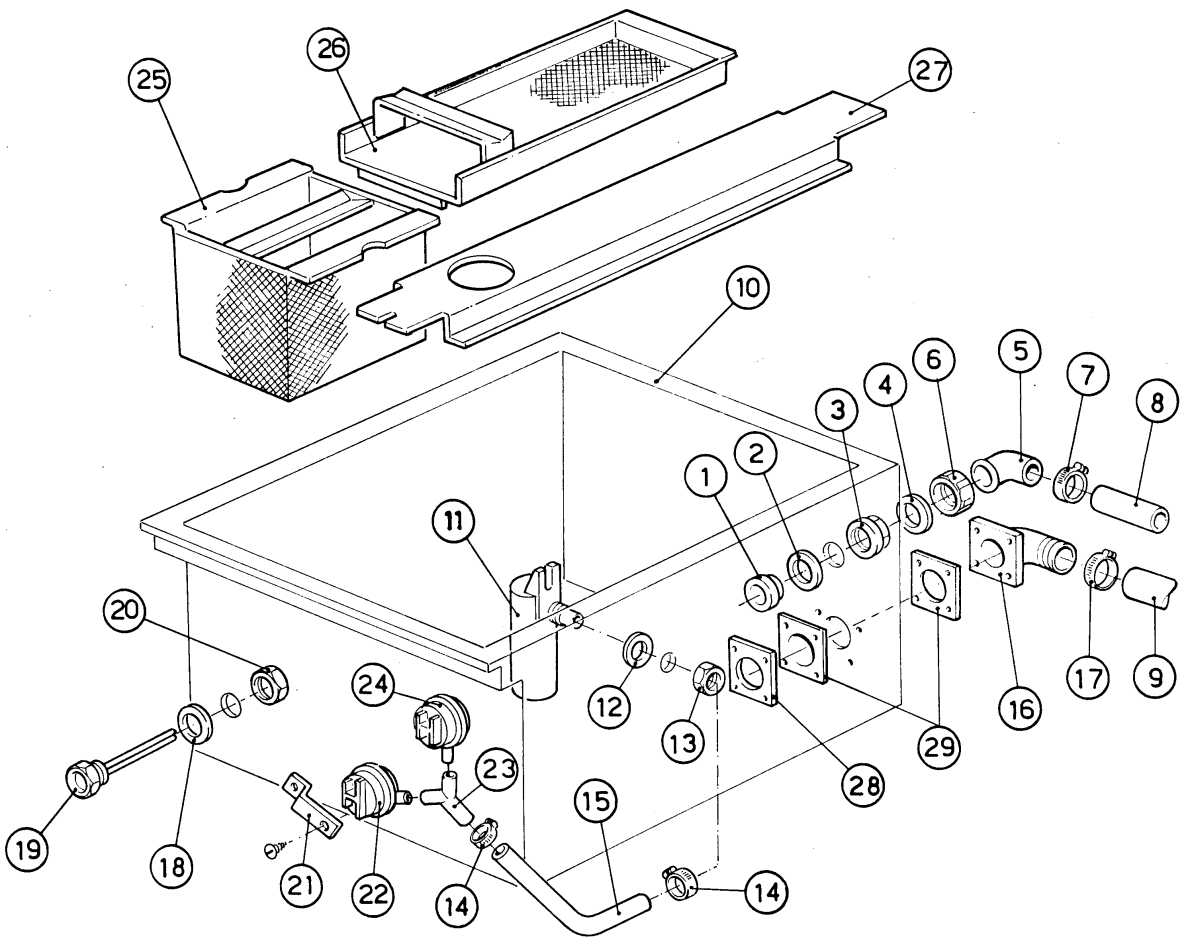
| CODE | DESCRIPTION |
|--------|--------------------------------|
| 120131 | SOLEN. L182Q31-ZB10A 1/2"24V |
| 150034 | CONNEC.F.SOLEN.VALVE 122.09.N |
| 160502 | PANEL MOUNTING BLOCK |
| 160709 | KNOB OF MANIFOLD F. SOLEN. VAL |
| 190129 | HANDLE SUPPORT SE NE GREY |
| 200814 | O-RING 34,52X41,58X3,53 |
| 210404 | BLACK RUBBER FOOT S90 NE SE |
| 280504 | MANIFOLD CONN.HOSE |
| 290105 | BRASS-TE-PLUG 1/2" |
| 290215 | 1/2"BSP M/F UNION BRASS |
| 320992 | DOOR |
| 330526 | FILTERS 22X28 SOLENOID V.MANIF |
| 331012 | HANDLE 412 MM DOOR SE NE G115 |
| 340575 | ENTRY AND EXIT TABLE NG |
| 340614 | ENTRY TABLE COVER |
| 350811 | JUNCTION |
| 391243 | FRAME |
| 391244 | FRAME |
| 391249 | FRAME |
| 460522 | GASKET |
| 510268 | SOLENOID VALVE MANIFOLD |
| 510403 | CONNECT.HOSE 90Ø1/2"X12 |
| 620110 | TWIN SOLENOID VALVE MANIFOLD |
| 620222 | COMPLETE ALUMINIUM LEGS |



4 - Guides+ curtains

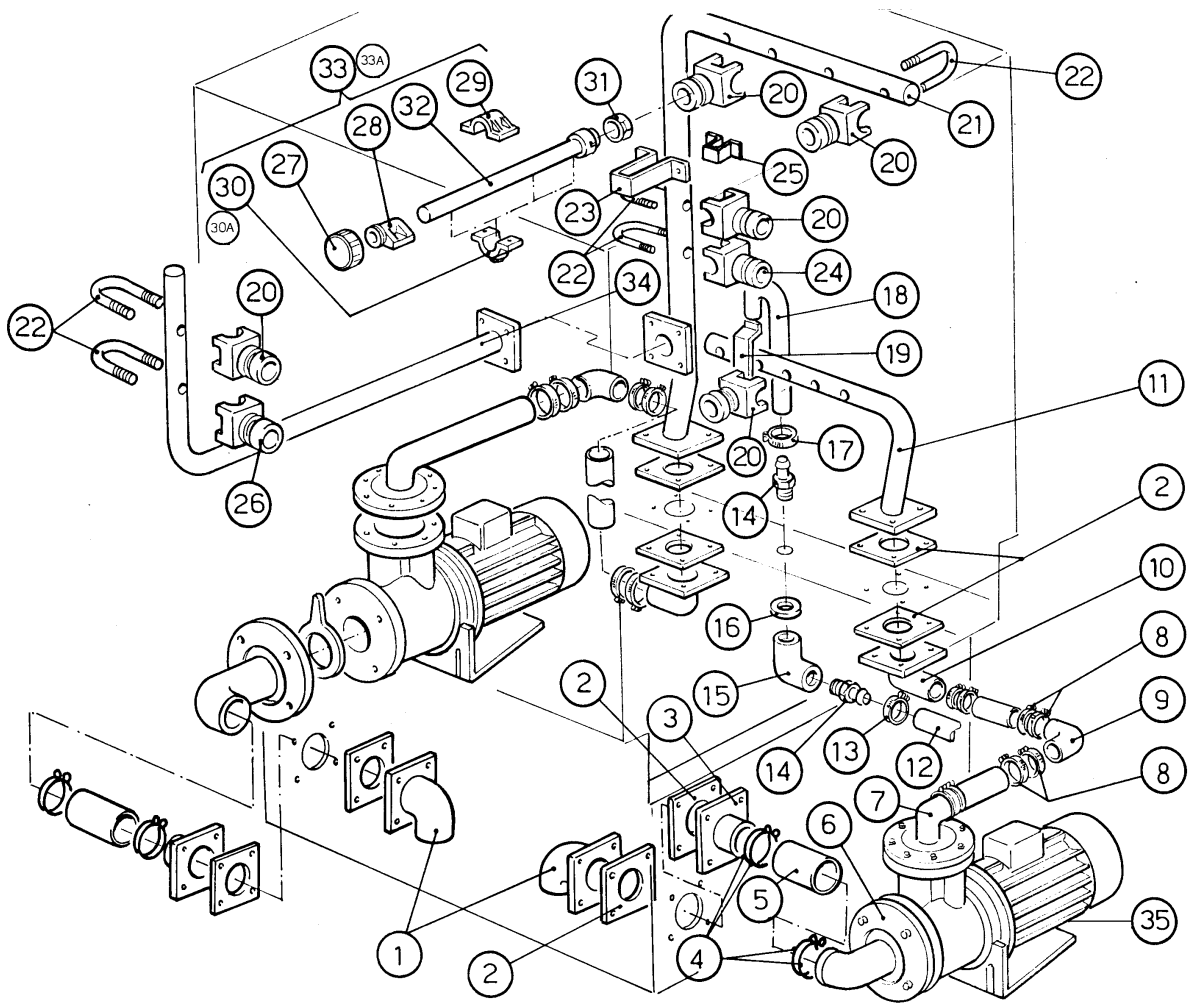
| CODE | DESCRIPTION |
|--------|--------------------------------|
| 130410 | STOP CONTACT F40 CN RED |
| 130411 | START CONTACT YELLOW |
| 161111 | BACK COVER CHANNEL 130 N S2900 |
| 161112 | BACK COVER CHANNEL 300 S N |
| 161203 | PLASTIC CUP FOR SWITCH PROTECT |
| 190918 | CURTAIN IN/OUT NG-910X680 |
| 190919 | MIDDLE CURTAIN NG-910X680 |
| 190920 | CURTAIN FOR ECORINSE NG-910X44 |
| 260412 | SELF-LOCKING NUT M6 |
| 320811 | PREWASH 600 NE GUIDE |
| 320819 | RINSE 400 NE GUIDE |
| 320820 | WASH 1000 GUIDE |
| 320865 | GUIDE |
| 321080 | SUPPORT |
| 321964 | GUIDE |
| 321965 | GUIDE |
| 321966 | RIGHT GUIDE |
| 321967 | LEFT GUIDE |
| 330416 | DEFLECTOR FOR WASH TANK |
| 330417 | VORTEX BREAKER FOR ECORINSE |
| 330423 | DEFLECTOR |
| 330715 | UPPER BRACKET CURTAIN SNL-SE |
| 341271 | PIN |
| 341272 | PIN |
| 341274 | PIN |
| 341276 | SPINDLE FOR CURTAIN NG |
| 341372 | WASH ARM SUPPORT |
| 350781 | BRACKET |
| 460789 | PLATE |

5 - 1st Wash section



5 - 1st Wash section

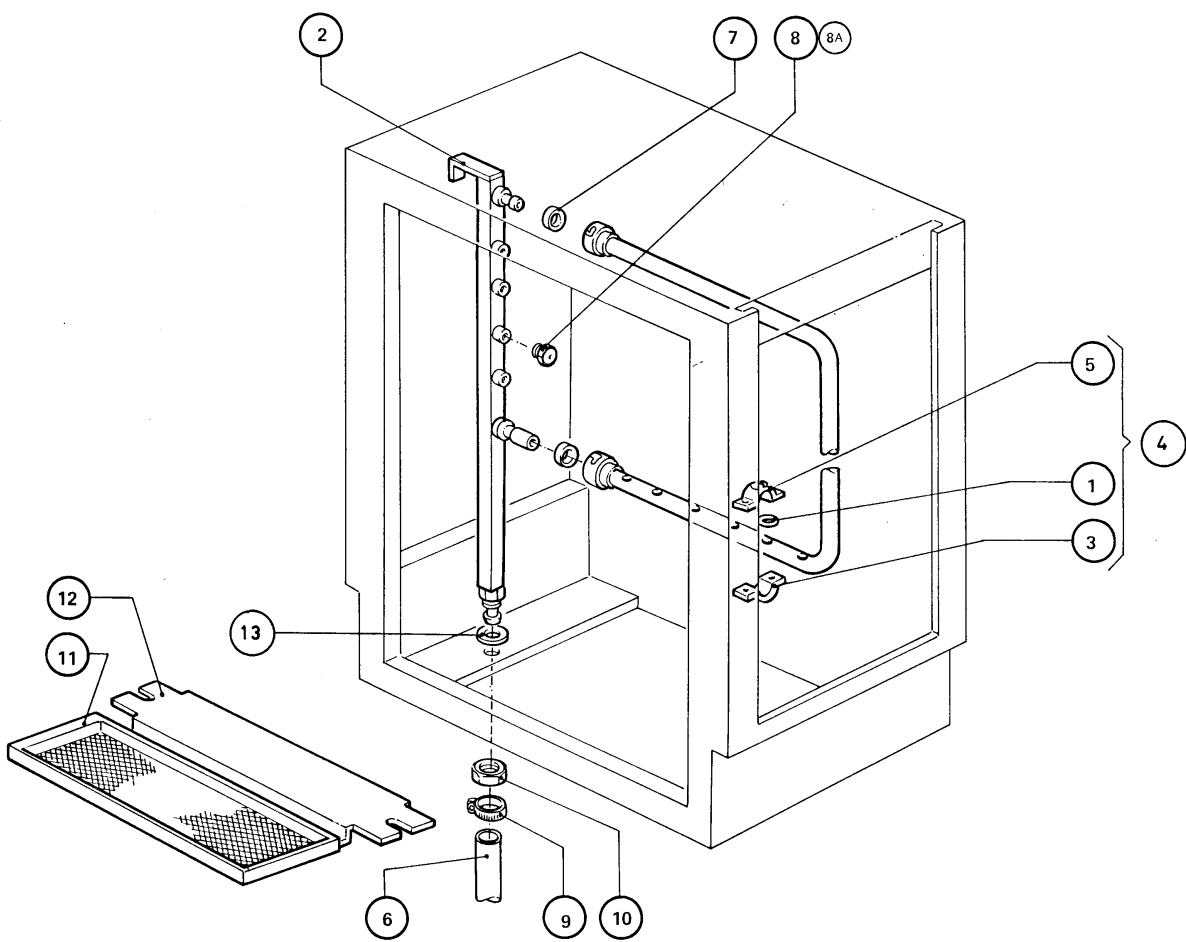
| CODE | DESCRIPTION |
|--------|--------------------------------|
| 130605 | PRESSURE SWITCH 50-30 1 LEVEL |
| 130609 | 1 LEVEL PRESSURE SWITCH 110-70 |
| 160203 | ELBOW 1"1/2 N-S-F-C /DRAIN |
| 160301 | DRAIN OUTLET 1"1/2 C-S-N |
| 161301 | AIR TRAP F2 C34-F45 |
| 180102 | DRAIN PIPE NUT 1"1/2 F45-55 |
| 180109 | LOCK NUT 1 1/2" |
| 190314 | Y-NIPPLE OF PRESS.SWITCH N 2S |
| 200116 | RUBBER HOSE 60X70 |
| 200120 | RUBBER HOSE 35X48 |
| 200353 | PRESS.SWITCH HOSE B23-10-1-2-C |
| 200405 | GASKET 110X100X63 IN NEOTEN |
| 200410 | DRAIN OUTL.WASH.1 1/2"65X47X2 |
| 200412 | GASKET DRAIN 11/2" 45X33X3 |
| 200415 | AIR TRAP GASKET -F2 18,5X10X3 |
| 260407 | STAINLESS STEEL NUTS D10 UNI 5 |
| 260608 | CONNECTION0 |
| 270101 | HEXAGON LOCK NUT 1/2" |
| 321079 | CROSS PART F.FILTER SUPP. |
| 330573 | FLAT FILTER FOR NG |
| 330574 | FILTER DRAWER WASH NG |
| 330921 | FLANGE 100X100X61-110 |
| 341434 | WASH TANK NG |
| 350774 | BRACKET |
| 450107 | CLAMP FE ZN 38-50 H=12,2 |
| 450119 | CLAMP FE ZN. 58-75 H=12,2 |
| 450125 | ELASTIC CLAMP D. 10,4X9,8 |
| 450516 | THERMOSTAT SHIELD FOR 2 TERMOS |
| 460502 | GASKET 30X21X2 |



6 - Wash Column

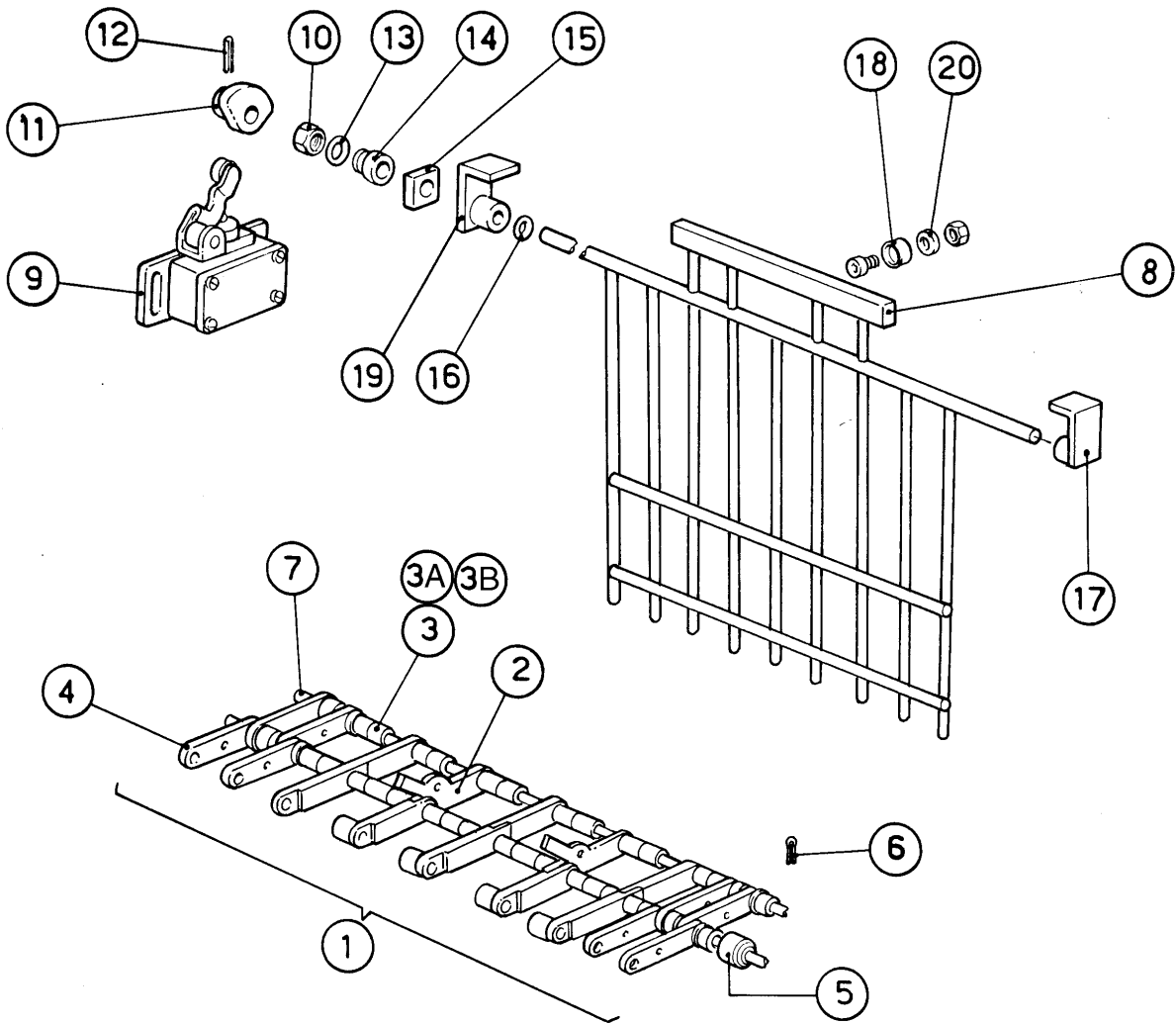
| CODE | DESCRIPTION |
|--------|--------------------------------|
| 100697 | PUMP HP 4 230/400/50 SHE 50 |
| 160724 | PLUG F. WASH ARM S90 |
| 170909 | TRANSVERS. WASH NOZZLE |
| 170955 | WASH JET 35Ø |
| 180211 | COUNTERFLANGE - WASH JET S-N |
| 180221 | COUNTERFLANGE F.WASH ARMS PLUG |
| 190125 | LEFT WASHARM SUPPORT SE |
| 190126 | RIGHT WASH ARM SUPPORT SE |
| 190127 | CENTR. WASH ARM SUPPORT SE |
| 200112 | RUBBER TUBE 75X83 |
| 200113 | RUBBER HOSE 12 X 22 |
| 200301 | HOSE FOR TANK INLET N-S |
| 200405 | GASKET 110X100X63 IN NEOTEN |
| 200463 | GASKET PRE-WASH/WASH SHORE 45/ |
| 280101 | CRANK F.F 1/2" |
| 290410 | NIPPLE 1/2" |
| 330218 | TIE ROD SE-NE WASH ARM SUPPORT |
| 330789 | BRACKET |
| 331547 | UPPER WASH COLUMN NG |
| 331549 | LOWER WASH COLUMN NG |
| 331551 | ELBOW FOR WASH COLUMN NG-G75 |
| 331552 | DELIVERY ELBOW FOR NG |
| 331553 | INLET ELBOW FOR NG-GL WASH PUM |
| 331554 | INLET ELBOW FOR NG PUMP |
| 331555 | INLET ELBOW FOR NG WASH PUMP |
| 331556 | DELIVERY ELBOW NG WASH |
| 331709 | BRACKET |
| 350758 | BRACKET |
| 420161 | WASH ARM "NG" |
| 420162 | SIDE WASH ARM NG |
| 420163 | WASH ARM "NG" |
| 420164 | SIDE WASH ARM NG |
| 450101 | STAINLESS STEEL CLAMP 15-24 H= |
| 450104 | CLAMP FE ZN H=12,5 15-24 |
| 450109 | CLAMP 50-65 |
| 450127 | CLAMP FE ZN. 68-85 H=12,2 |
| 460502 | GASKET 30X21X2 |

7 - Ecorinse Assembly



7 - Ecorinse Assembly

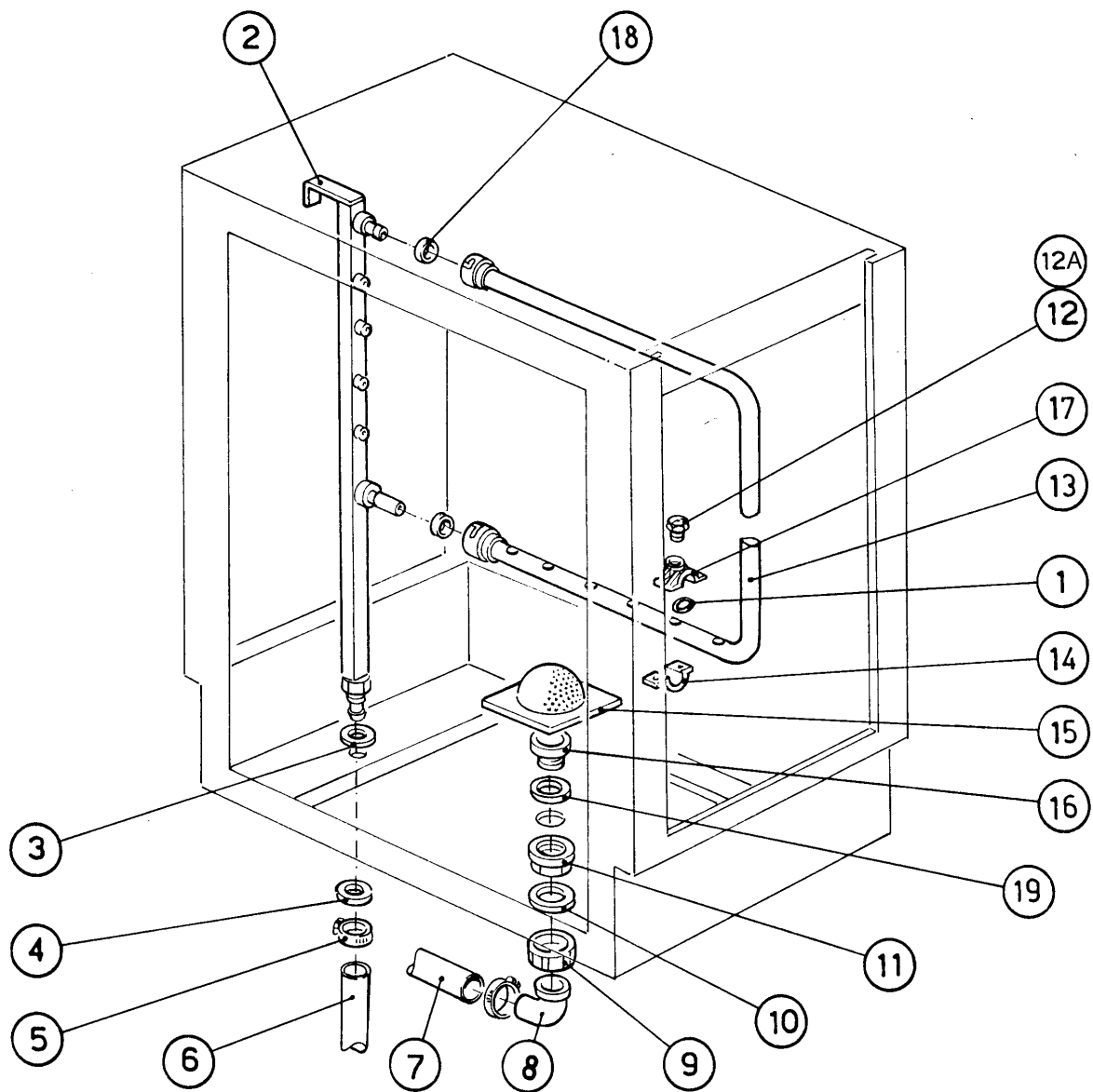
| CODE | DESCRIPTION |
|--------|--------------------------------|
| 170954 | JET FOR ECORINSE ARM |
| 180213 | FLANGE F.JET LOCKING F2-C34 |
| 200113 | RUBBER HOSE 12 X 22 |
| 200480 | GASKET F. RINSE CONNECT. |
| 200824 | O-RING 1,78X12,42X15,98 |
| 270107 | BRASS LOCK NUT 3/8" FL803 |
| 321079 | CROSS PART F.FILTER SUPP. |
| 332005 | WASH FILTER NE XL |
| 380320 | RINSE JETS OV 1/8" 303 35LT 80 |
| 380321 | RINSE JETS OV 1/8" 303 40LT 80 |
| 430148 | ECORINSE ARM FOR "NG" |
| 430415 | RINSE COLUMN NG |
| 450105 | CLAMP FE ZN. 26-38 H=12,2 |
| 460502 | GASKET 30X21X2 |



8 - Economiser + Conveyor

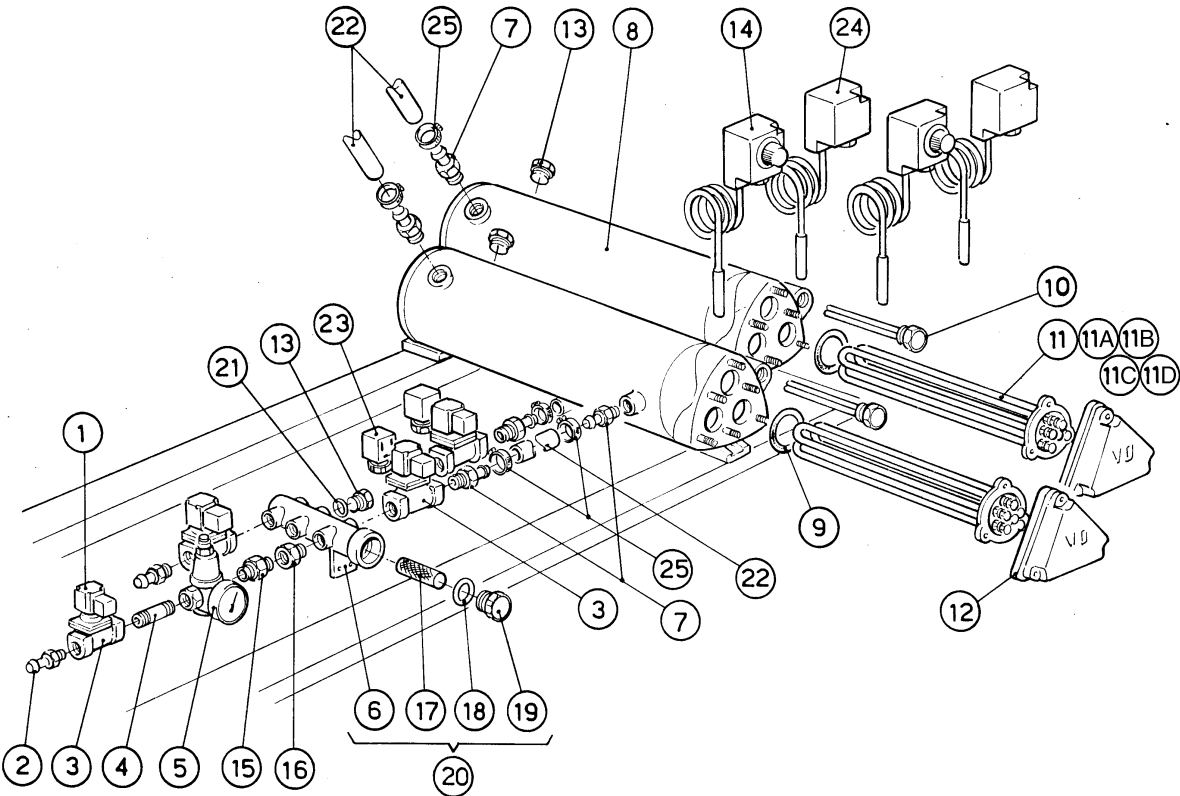
| CODE | DESCRIPTION |
|--------|--------------------------------|
| 120305 | MICRO SWITCH WITH LEVER |
| 160512 | SPACER 35,5 |
| 160513 | SPACER 27,8 |
| 160514 | SPACER 7,9 108378 MOP |
| 170212 | FINGER SHORT FOR BELT 70 |
| 170314 | GRAY BELT WHEEL N |
| 200809 | OR GASKET 1,78X8,73X12,29 |
| 210202 | RUBBER FOOT GLASS WASHER |
| 260505 | STAINL.STEEL FLAT WASHER D8 |
| 270101 | HEXAGON LOCK NUT 1/2" |
| 330105 | LINKS 2 FOR BELT NST.88 |
| 341270 | PIN |
| 341328 | SUPPORT (341846) |
| 341329 | SUPPORT (341846) |
| 370212 | RINSE ECONOMISER GATE NG |
| 380110 | BRASS BEARING D12 F.ECON.N |
| 381001 | LOCKING NUT FOR ECONOMIZER N |
| 451002 | COTTER PIN STAINL.ST. D2X12 |
| 451102 | RINSE GATE PIN 3X26 |
| 460502 | GASKET 30X21X2 |
| 510216 | N RINSE GATE ECCENTRE |
| 620254 | COMPL.SHAFT NG BELT (CENTRAL G |

9 - Rinse assembly



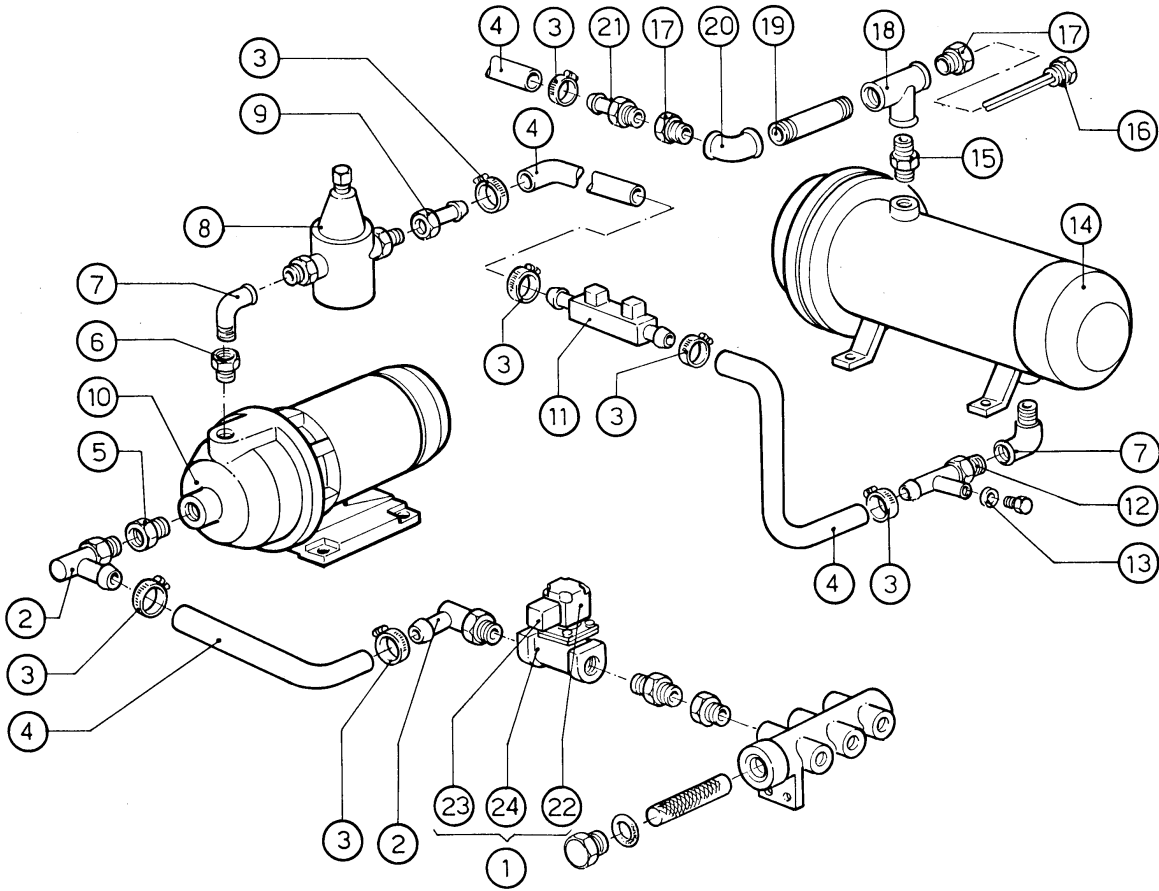
9 - Rinse assembly

| CODE | DESCRIPTION |
|--------|--------------------------------|
| 160203 | ELBOW 1"1/2 N-S-F-C /DRAIN |
| 160301 | DRAIN OUTLET 1"1/2 C-S-N |
| 170926 | RINSE JET HOLDER S-SE-NE |
| 180102 | DRAIN PIPE NUT 1"1/2 F45-55 |
| 180109 | LOCK NUT 1 1/2" |
| 180213 | FLANGE F.JET LOCKING F2-C34 |
| 200113 | RUBBER HOSE 12 X 22 |
| 200120 | RUBBER HOSE 35X48 |
| 200410 | DRAIN OUTL.WASH.1 1/2"65X47X2 |
| 200412 | GASKET DRAIN 11/2" 45X33X3 |
| 200480 | GASKET F. RINSE CONNECT. |
| 200824 | O-RING 1,78X12,42X15,98 |
| 270107 | BRASS LOCK NUT 3/8" FL803 |
| 330547 | FILTER F.TANK DRAIN NE/NG BTM |
| 380320 | RINSE JETS OV 1/8" 303 35LT 80 |
| 380321 | RINSE JETS OV 1/8" 303 40LT 80 |
| 430141 | RINSE ARM NG |
| 430415 | RINSE COLUMN NG |
| 450105 | CLAMP FE ZN. 26-38 H=12,2 |
| 460502 | GASKET 30X21X2 |



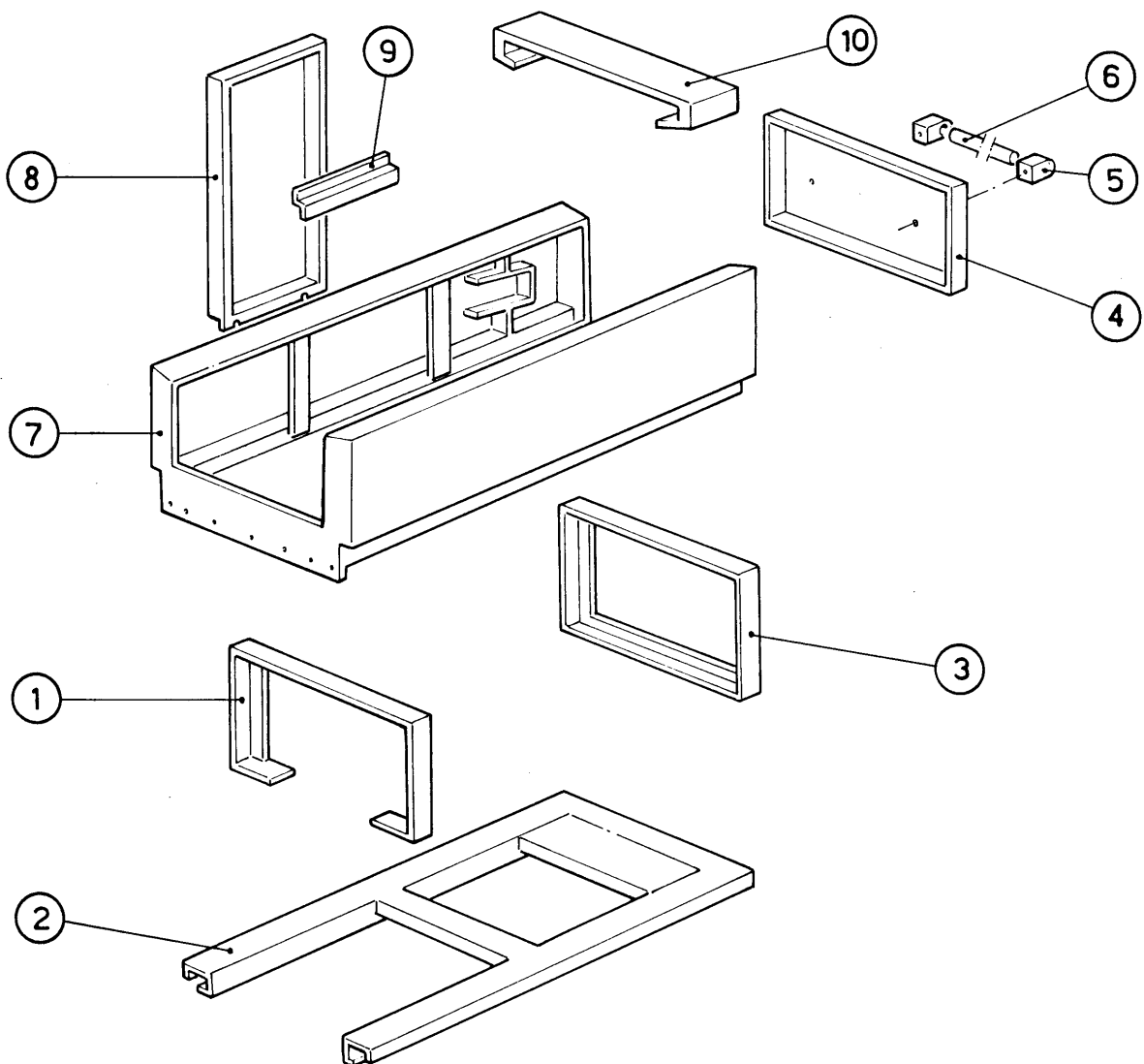
10 - Boiler-Kaltwasserzulauf

| CODE | DESCRIPTION |
|--------|--------------------------------|
| 110331 | HEAT.ELEMENT 4200W 230/400V |
| 110343 | HEAT.ELEM. 8000W 220/380V |
| 110349 | HEAT.ELEMENT 6000W 230/400V |
| 110362 | HEAT.ELEMENT 9000W 220/380V |
| 110367 | HEAT.ELEMENT 12500W 230/400V |
| 120131 | SOLEN. L182Q31-ZB10A 1/2"24V |
| 120512 | THERMOSTAT IM50/210Ø |
| 120520 | SECURITY THERMOSTAT 110-130Ø |
| 150034 | CONNEC.F.SOLEN.VALVE 122.09.N |
| 160709 | KNOB OF MANIFOLD F. SOLEN. VAL |
| 161113 | ELEMENT COVER BLACK |
| 200113 | RUBBER HOSE 12 X 22 |
| 200814 | O-RING 34,52X41,58X3,53 |
| 200815 | O-RING F. HEAT.ELEM. |
| 280504 | MANIFOLD CONN.HOSE |
| 281102 | 1/2" ADJ VALVE C/W GAUGE TYPE |
| 290105 | BRASS-TE-PLUG 1/2" |
| 290215 | 1/2"BSP M/F UNION BRASS |
| 290410 | NIPPLE 1/2" |
| 330322 | INSULATED BOILER D.230 N/S |
| 330524 | SOLENOID VALVE MANIFOLD FILTER |
| 331379 | -TUBO COLL.RIDUTT.1/2"XS90 VAP |
| 450115 | ELASTIC CLAMP D.8,3/7,8 |
| 450516 | THERMOSTAT SHIELD FOR 2 TERMOS |
| 460522 | GASKET |
| 510268 | SOLENOID VALVE MANIFOLD |
| 510407 | NIPPLE FOR BOILER N S |
| 620110 | TWIN SOLENOID VALVE MANIFOLD |
| 630948 | COIL Z610A 24V 50/60-L180V01 |



11 - Cold water feeding

| CODE | DESCRIPTION |
|--------|--------------------------------|
| 100698 | PUMP HP 0,75-CEA120 (100789) |
| 120131 | SOLEN. L182Q31-ZB10A 1/2"24V |
| 120154 | KIT SOLEMOID VALVE 1/2" |
| 150034 | CONNEC.F.SOLEN.VALVE 122.09.N |
| 160805 | GASKET D.8 |
| 200113 | RUBBER HOSE 12 X 22 |
| 251200 | S/S NIPPLE 1/2" |
| 251201 | S/S NIPPLE 1/2" |
| 270308 | NIPPLES 3/4" |
| 270309 | CONNECTION 1"-1/2" |
| 270310 | CONNECTION 1"1/4-1/2" |
| 280102 | ELL FF 3/4" |
| 280115 | ELL 1/2" |
| 280302 | HOSE CLAMPS STRAIGHT 3/4" |
| 280516 | CONNECTION 14M X 2 |
| 281102 | 1/2" ADJ VALVE C/W GAUGE TYPE |
| 310302 | NIPPLE 3/4"-1/2" |
| 330314 | STEAM BOILER 30000 KCAL/H |
| 331387 | HOSE 3/4" |
| 450104 | CLAMP FE ZN H=12,5 15-24 |
| 450516 | THERMOSTAT SHIELD FOR 2 TERMOS |
| 510403 | CONNECT.HOSE 90Ø1/2"X12 |
| 510407 | NIPPLE FOR BOILER N S |
| 630948 | COIL Z610A 24V 50/60-L180V01 |

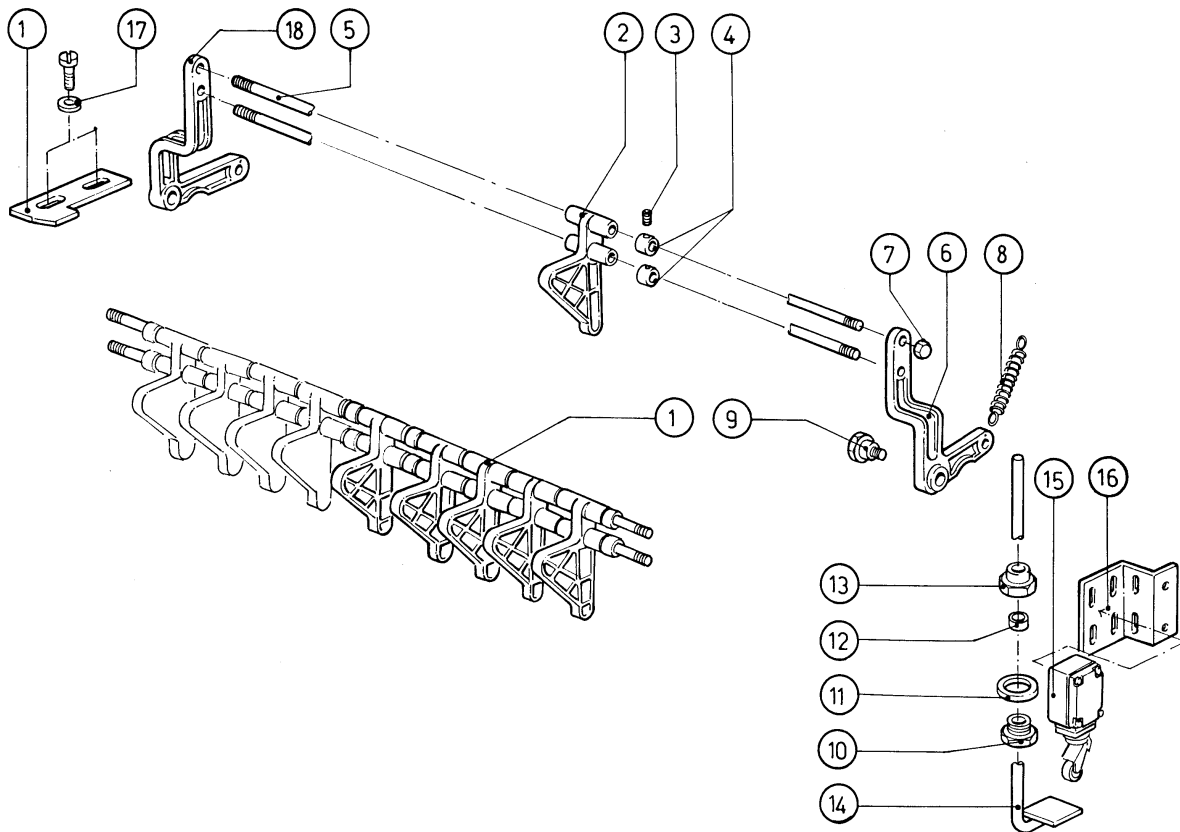


12 - Exit table

| CODE | DESCRIPTION |
|--------|-------------------------------|
| 190129 | HANDLE SUPPORT SE NE GREY |
| 320971 | DOOR |
| 331012 | HANDLE 412 MM DOOR SE NE G115 |
| 340220 | SUPPORT |
| 340576 | EXIT TABLE 800 NG |
| 340614 | ENTRY TABLE COVER |
| 360201 | COVER |
| 391211 | FRAME |
| 391243 | FRAME |
| 391244 | FRAME |

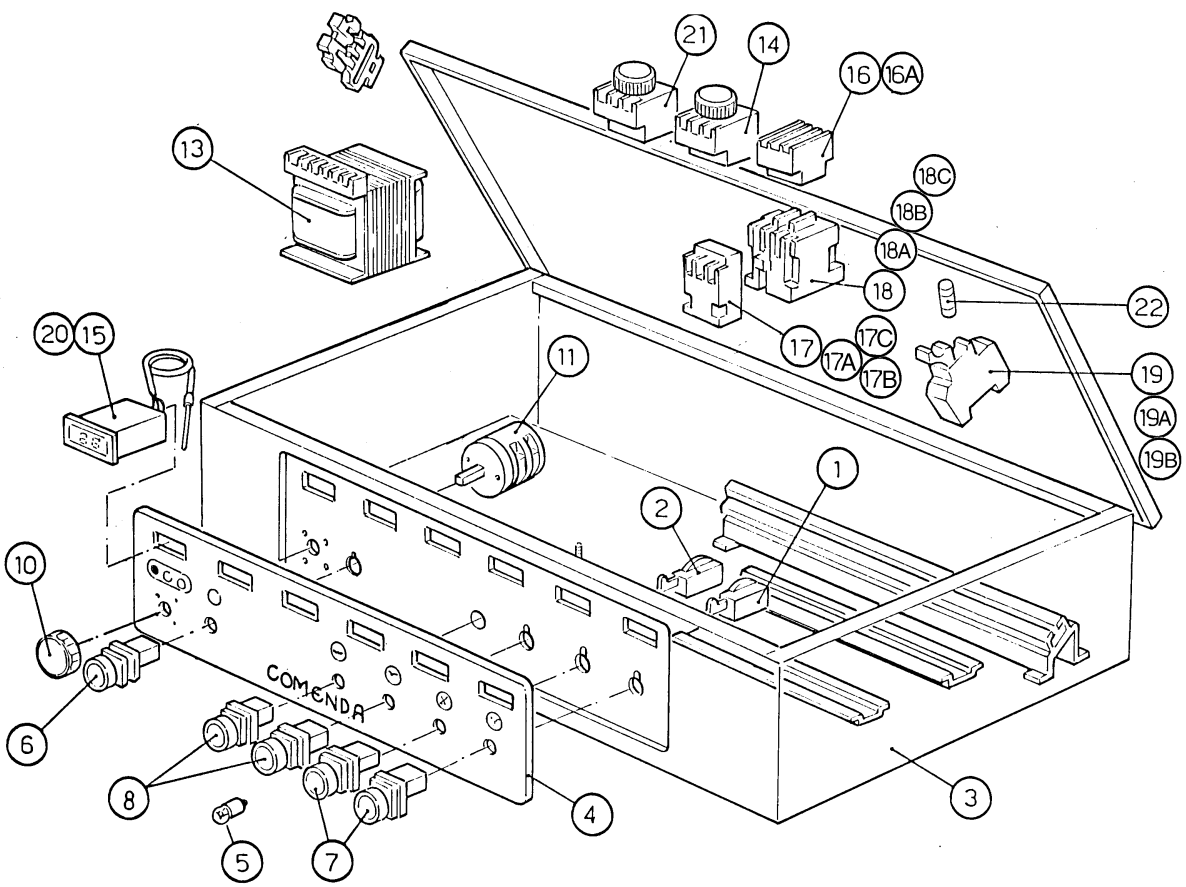
13 - Drive unit

| CODE | DESCRIPTION |
|--------|--------------------------------|
| 100236 | VARIABLE DRIVE MOTOR 220/380 |
| 180201 | DRILLED FLANGE 85 /DRIVE |
| 180202 | BLIND FLANGE D.85 (DRIVE) N |
| 200802 | OR GASKET 3,53X44,05X51,11 |
| 330201 | ROD FOR BELT ADJUSTING "N" |
| 341268 | PIN FOR CONVEYOR |
| 341269 | PIN |
| 381101 | PLATE |
| 391003 | SHORT PIN F.CHAIN TIGHTENER N- |
| 391101 | NICKEL-PLATED CHAIN TIGHTEN.RO |
| 391104 | CHAIN TENSER |
| 410107 | BEARINGS 9X24X7 |
| 410109 | BEARINGS 17X40X12 6203 |
| 410110 | BEARINGS 20X42X12 6004 |
| 410259 | PINION Z16 D.32 1/2 |
| 410305 | CROWN DISCS 70T 1/2" PITCH |
| 410401 | NICKEL-PLATED TORQUE LIMITER L |
| 410801 | DRIVE CHAIN 1/2" N-S |
| 410902 | FALSE CHAIN LINK 1/2" |
| 410903 | CHAIN JOINT 1/2" |
| 440401 | SEAL RING 19X31X6 |
| 440402 | SEAL RING 20X30X5 |
| 440802 | SEAL RING D.17 EXT. |
| 450203 | STAINL.ST.MICRO SPRING D.10 |
| 451116 | ELASTIC PIN 6X40 |
| 510229 | DRIVE SHAFT SPROCKET |
| 510249 | NICKEL-PLATED BEARING F. SHAFT |
| 510250 | BEARING OF SHAFT N |
| 510251 | BEARING OF IDLE SHAFT N |
| 620252 | MICROSWITCH KIT |
| 620253 | SPINDLE |



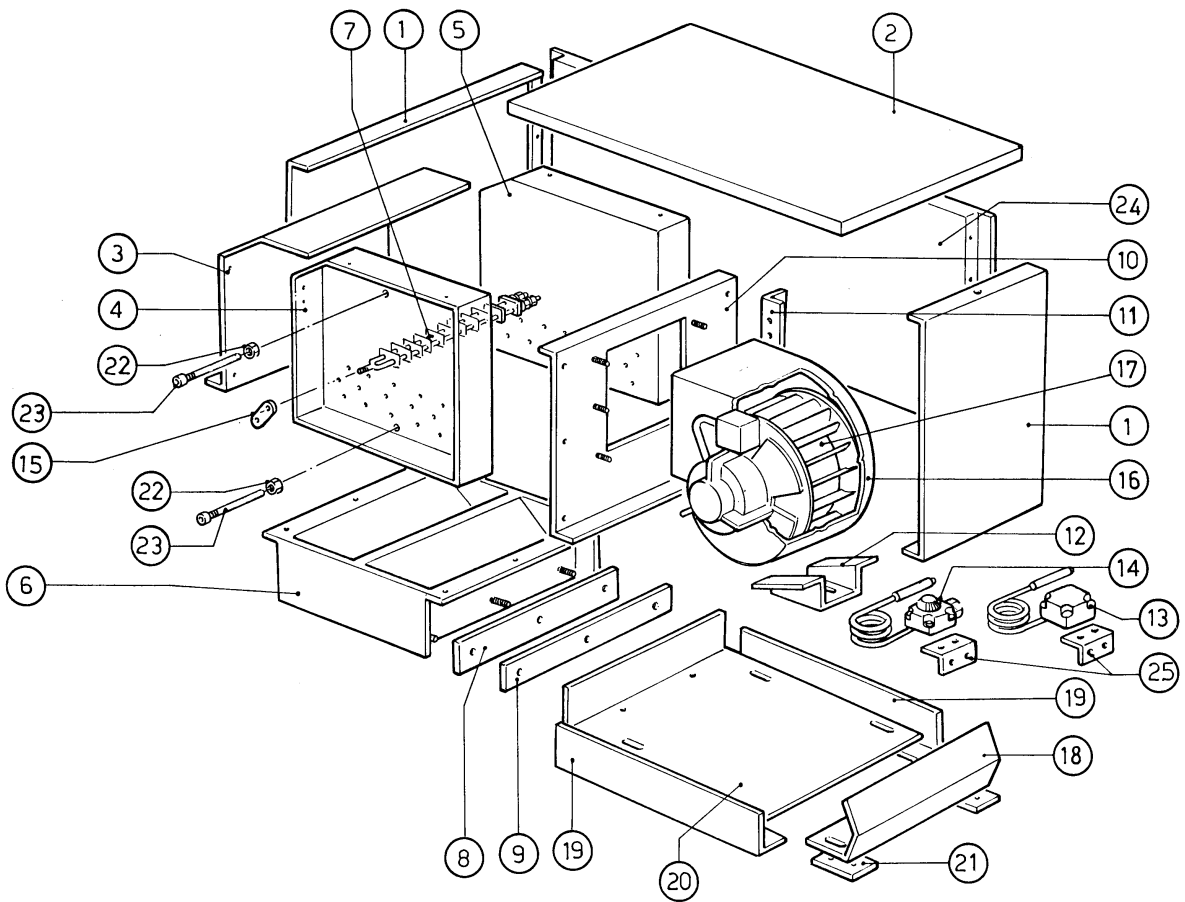
14 - Limit switch

| CODE | DESCRIPTION |
|--------|--------------------------------|
| 120326 | MICRO SWITCH FD 102 |
| 170206 | PEG N IN MOPL / END RUN ARM |
| 200437 | GASKET FOR END RUN ARM N GACO |
| 280406 | NICKEL-PLATED BUSH F.KNOCK OFF |
| 290702 | HEXAGON BLIND NUTS 8M H15 |
| 330203 | ROD FOR MICRO CONTROL "N" |
| 330230 | TIE ROD F. END RUN ARM NG |
| 330828 | STIFF.SPACERS FOR END RUN ARM |
| 340434 | CRANK HEAD PIN |
| 350770 | BRACKET F.MICRO /NOCK OFF GATE |
| 370308 | CONVEYOR END RUN NG |
| 380109 | THREADED BUSH 1/2" KNOCK OFF G |
| 381301 | WASHER D.25 |
| 450213 | STAINL.ST SPRING D.10 LIMIT SW |
| 451118 | ELASTIC PIN 4X40 |
| 460502 | GASKET 30X21X2 |
| 510224 | RIGHT SUPPORT LEVER F.END RUN |
| 510225 | LEFT SUPPORT LEVER F.END RUN |



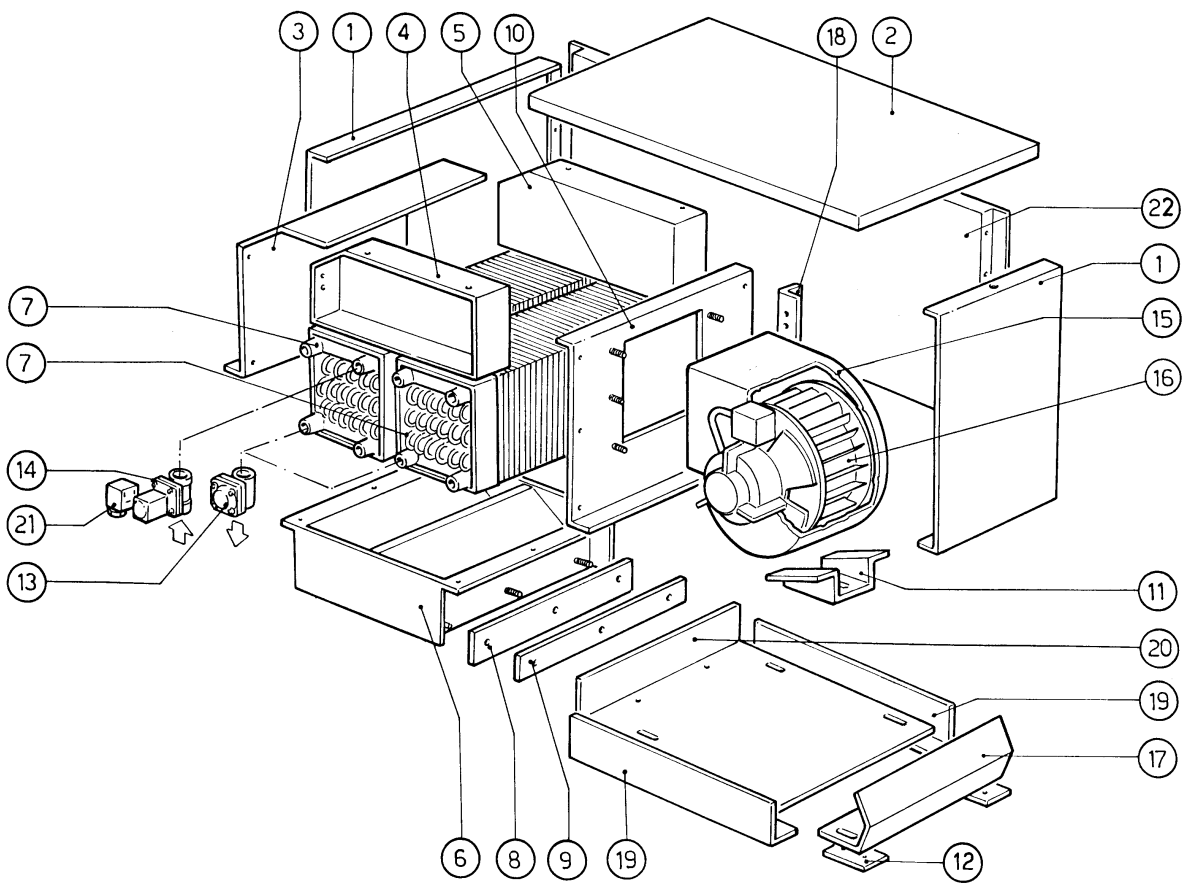
15 - Control Box

| CODE | DESCRIPTION |
|--------|--------------------------------|
| 120428 | CONTACTOR 9A 24V 50HZ |
| 120430 | CONTACTOR 17A 24V 50HZ |
| 120431 | CONTACTOR 40A 24V 50HZ |
| 120437 | CONTACTOR 25A 24V 50HZ |
| 120613 | TRANSFORMER 500VA 220-240-380- |
| 120718 | SWITCH 25 AMP FOUR-POLE 500V |
| 120822 | OVERLOAD RELAY 1,6-2,5A |
| 120823 | OVERLOAD RELAY 2.5/4 A |
| 120824 | OVERLOAD RELAY 4/6 A |
| 120825 | OVERLOAD RELAY 5,5/8 A |
| 130138 | LIGHT WITH BAYONET COUPLING 3W |
| 130410 | STOP CONTACT F40 CN RED |
| 130411 | START CONTACT YELLOW |
| 130413 | GREEN PUSH BUTTON |
| 130910 | CONTACT LA1 D20 A65 |
| 130911 | CONTACT LA1 D40 A65 |
| 130912 | TIMER CONTACT 0,1/30SEC. LA3D2 |
| 150105 | LAMP RED D.22X5 |
| 150106 | LAMP GREEN 22X5 |
| 150710 | FUSE CARRIER 10,3X38 ART.21401 |
| 150711 | FUSE CARRIER 14X51 ART.21501 |
| 150712 | FUSE CARRIER 22X58 ART.21601 |
| 180111 | BLACK KNOB |
| 321544 | BOX FOR CONTROL PANEL |
| 450911 | DIGITAL THERMOSTAT MTR10P 24/5 |
| 450912 | DIGIT.THERMOMETER MT10P V24/50 |
| 460863 | PANEL (460865) |



16 - Blower Dryer 1000

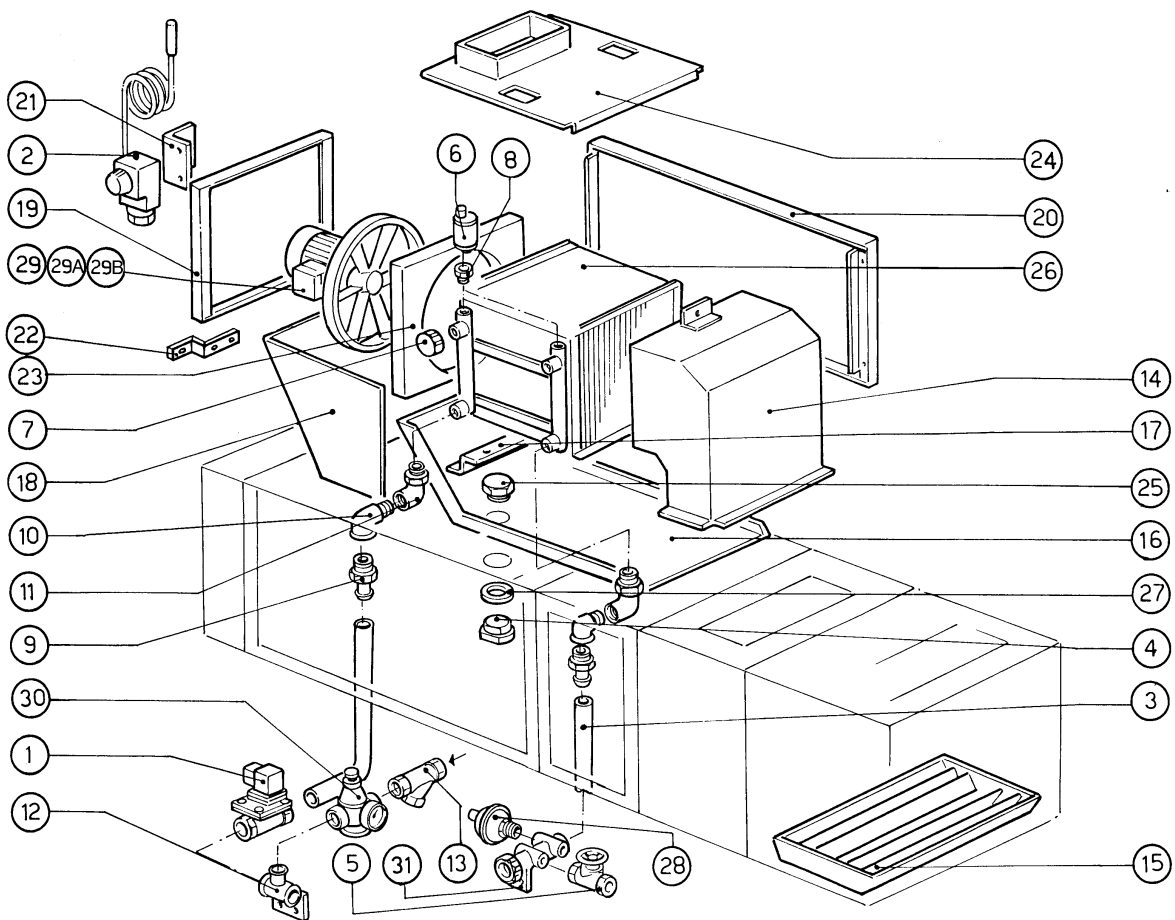
| CODE | DESCRIPTION |
|--------|--------------------------------|
| 100535 | FAN HP 2 220/3-50 AT10-8DD |
| 110704 | HEAT.ELEMENT/DRYING 1000W 220V |
| 120512 | THERMOSTAT IM50/210Ø |
| 120520 | SECURITY THERMOSTAT 110-130Ø |
| 140101 | BRASS CONNECT. PLATE HEAT.ELEM |
| 160524 | SPACER OF SHAFT SE |
| 190915 | FIXING PLATE |
| 270101 | HEXAGON LOCK NUT 1/2" |
| 320143 | DEFLECTOR F. DRYER 1000MM |
| 320144 | DRYER DEFLECTOR |
| 320358 | TOP FOR DRYER 1000MM |
| 320669 | FIXING PLATE |
| 331441 | BRACKET FOR DRYING VENTILATOR |
| 331459 | BRACKET FOR DRYING VENTILATOR |
| 341327 | FAN SUPPORT |
| 341352 | SUPPORT |
| 341354 | RIGHT SUPPORT FOR DRYER 18KW 1 |
| 341355 | LEFT SUPPORT FOR DRYER 18KW 10 |
| 341373 | PANEL |
| 350258 | PANEL |
| 350737 | BRACKET FOR CLOSED THERMOSTATS |
| 360913 | BACK PANEL 1000MM NE XL |
| 450515 | STAINL.ST.SHIELD FOR 1 THERMOS |
| 630312 | FAN IMPELLOR X C 100531 D.300X |



17 - Steam Blower Dryer 1000

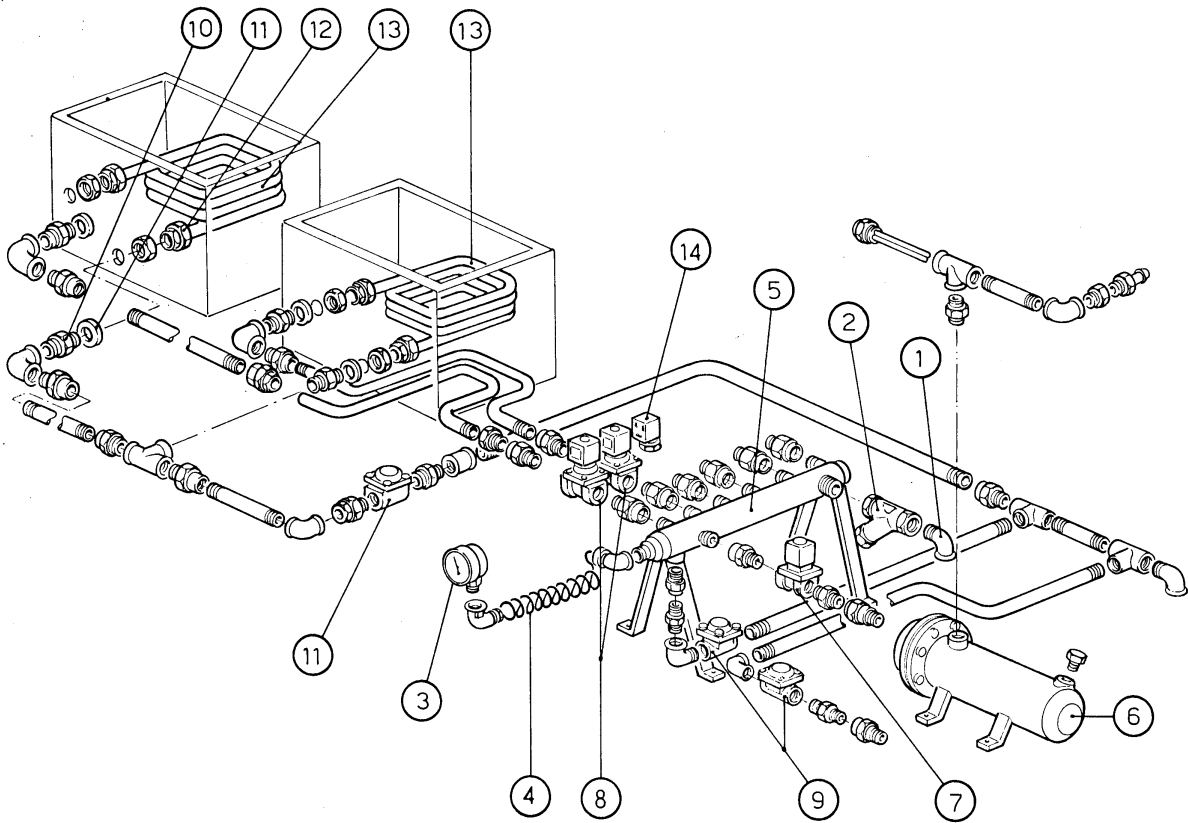
| CODE | DESCRIPTION |
|--------|--------------------------------|
| 100535 | FAN HP 2 220/3-50 AT10-8DD |
| 120108 | SOLENOID V. STEAM 24V50HZ 1"G |
| 150033 | CONNEX.F.SOLEN.VALVE 182.09.N |
| 160524 | SPACER OF SHAFT SE |
| 190915 | FIXING PLATE |
| 310702 | STEAM TRAP 1/2" MK 25/3 |
| 320143 | DEFLECTOR F. DRYER 1000MM |
| 320144 | DRYER DEFLECTOR |
| 320358 | TOP FOR DRYER 1000MM |
| 320669 | FIXING PLATE |
| 331441 | BRACKET FOR DRYING VENTILATOR |
| 331459 | BRACKET FOR DRYING VENTILATOR |
| 341327 | FAN SUPPORT |
| 341352 | SUPPORT |
| 341356 | RIGHT PANEL |
| 341357 | LEFT PANEL |
| 341373 | PANEL |
| 350258 | PANEL |
| 350737 | BRACKET FOR CLOSED THERMOSTATS |
| 360913 | BACK PANEL 1000MM NE XL |
| 400815 | BATTERY FOR DRYING (9-12KW) SE |
| 630312 | FAN IMPELLOR X C 100531 D.300X |

18 - Heat recovery unit



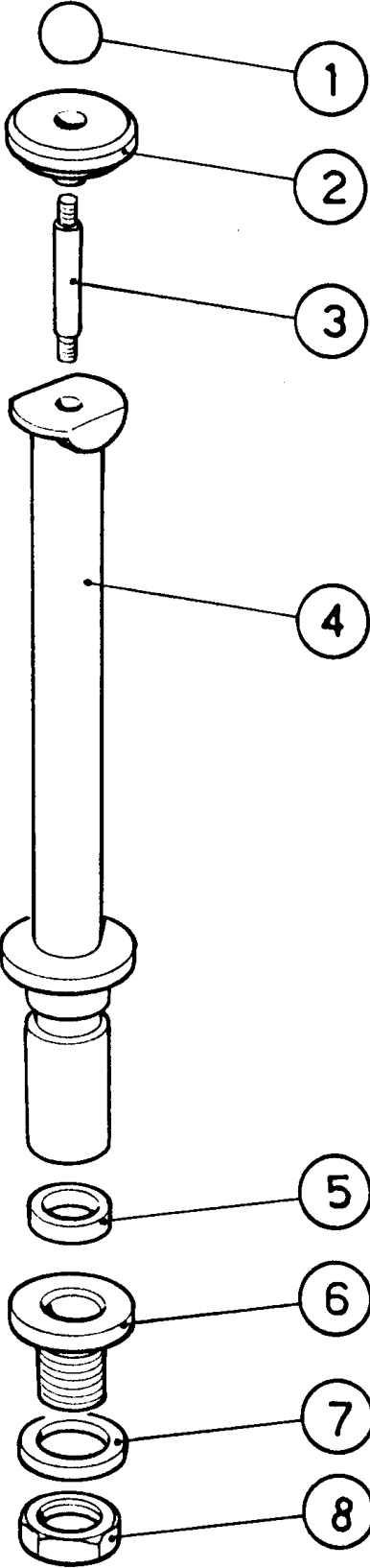
18 - Heat recovery unit

| CODE | DESCRIPTION |
|--------|--------------------------------|
| 100512 | FAN HP 0,75 400EVH/4/27 |
| 100518 | FAN HP0,75 240/415/50 (100512) |
| 100522 | FAN HP 1 240/415V (100521) |
| 120123 | SOLENOID VALVE L180B12 1" V.24 |
| 120515 | THERMOSTAT 0-90°C |
| 200104 | DISCHARGE HOSE 20X30 |
| 280408 | NUT |
| 280601 | GATE VALVE 1/2" BRASS |
| 280605 | AUTOMATIC AIR VENT 1/4" GAS |
| 281101 | 3/4" ADJ VALVE C/W GAUGE |
| 290118 | BRASS TE PLUG 3/4" |
| 290306 | CONNECTION 1/4 MF |
| 290403 | NIPPLE M.3/4" BRASS |
| 300410 | ELL 3/4" MF |
| 300612 | UNION ELL 3/4" F-F |
| 300914 | TEE 1" |
| 310603 | STRAINERS JU 1" MOD.45 |
| 320105 | DEFLECTOR F. DRYER |
| 320111 | DEFLECTOR F. HRU |
| 320128 | BREAKER (320150) |
| 330774 | BRACKET |
| 340320 | PANEL |
| 350258 | PANEL |
| 350296 | PANEL |
| 350737 | BRACKET FOR CLOSED THERMOSTATS |
| 350752 | BRACKET |
| 350809 | SUPPORT |
| 360910 | COVER |
| 380146 | CONDENSER UNIT DRAIN CONNECTIO |
| 400809 | CONDENSER BATTERY ENERGY REC. |
| 460503 | SEALING WASHER 38X27X2(3/4) |
| 620121 | TWIN SOLENOID VALVE MANIFOLD |
| 631303 | HYDRAULIC AIR VESSEL FOR HEAT |



19 - Steam heated machine

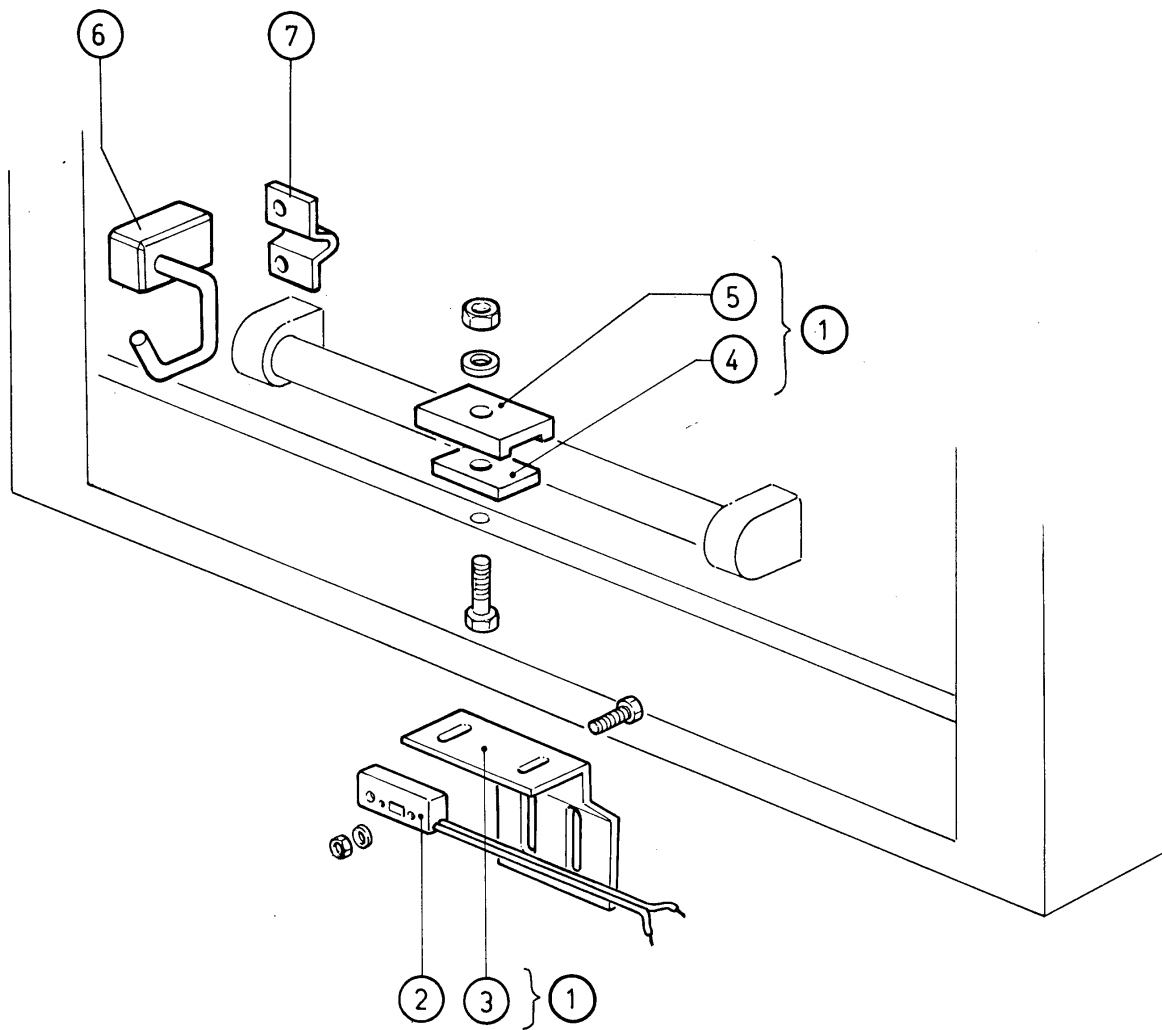
| CODE | DESCRIPTION |
|-------------|--------------------------------|
| 120108 | SOLENOID V. STEAM 24V50HZ 1"G |
| 120165 | SOLEN.VALVE ST.24V50HZ 3/4" |
| 150033 | CONNEC.F.SOLEN.VALVE 182.09.N |
| 240719 | S/S STEAM COIL 18000 KCAL NE/N |
| 270102 | LOCK NUT 3/4" |
| 280512 | STEAM COIL CONNECTION |
| 300415 | ELL 2" MF |
| 310604 | STRAINERS JU 2" MOD.45 |
| 310705 | STEAM TRAPS MK25/3 D.1/2" |
| 330314 | STEAM BOILER 30000 KCAL/H |
| 381404 | HOSE STEAM GAUGE |
| 400533 | ST/ST STEAM MANIFOLD FOR NE MA |
| 441401 | PRESSURE GAUGE 60 SCALO-4CR1/4 |
| 460503 | SEALING WASHER 38X27X2(3/4) |



20 - Drain Parts

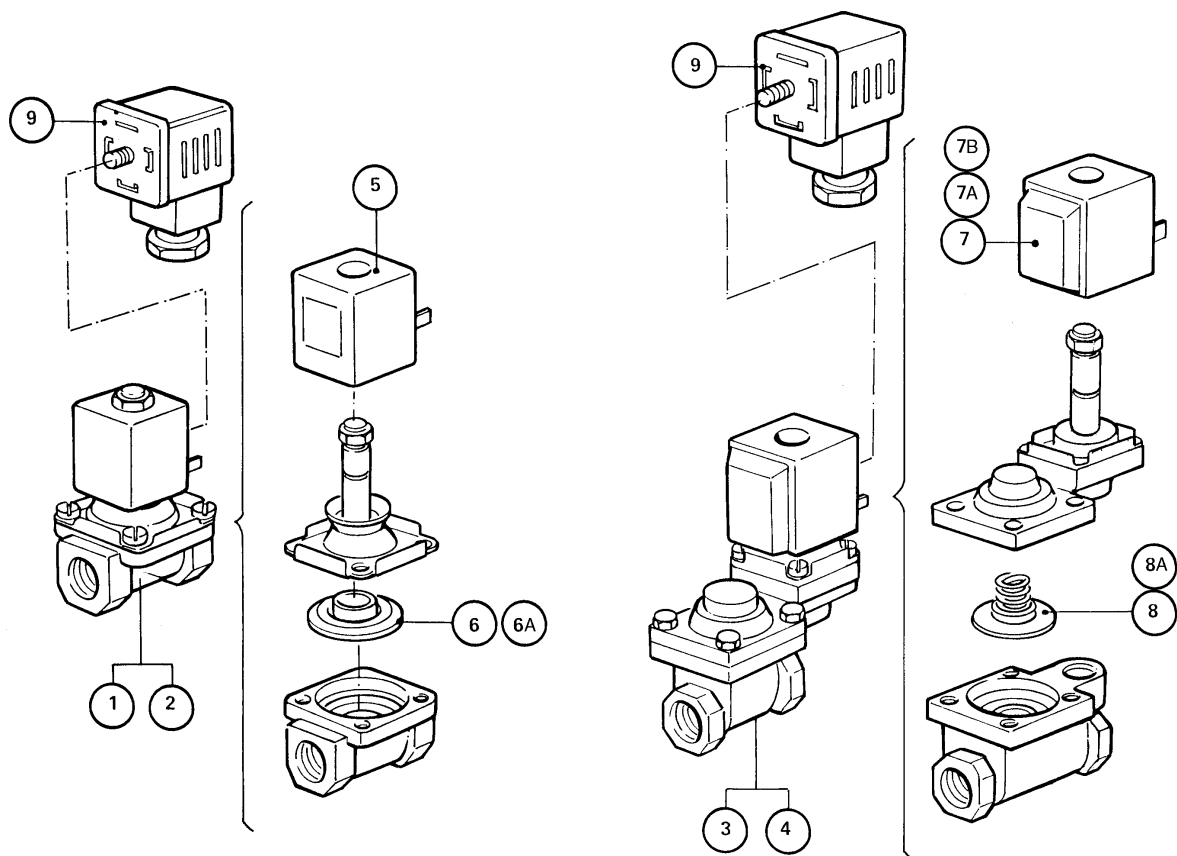
| CODE | DESCRIPTION |
|--------|--------------------------------|
| 160738 | COVER PLATE F.OVERFLOW PIPE S2 |
| 180126 | HANDLE F.OVERFLOW PIPE SNL |
| 200410 | DRAIN OUTL.WASH.1 1/2"65X47X2 |
| 200424 | O RINGS WASH/PRE-WASH ARMS |
| 270104 | LOCK NUT 1" 1/2 |
| 270405 | DRAIN OUTLET N |
| 341278 | SPACER FOR NG OVERFLOW |
| 380820 | OVERFLOW PIPE/1ØWASH. TANK NG9 |

21 - Door micro-switch assy.



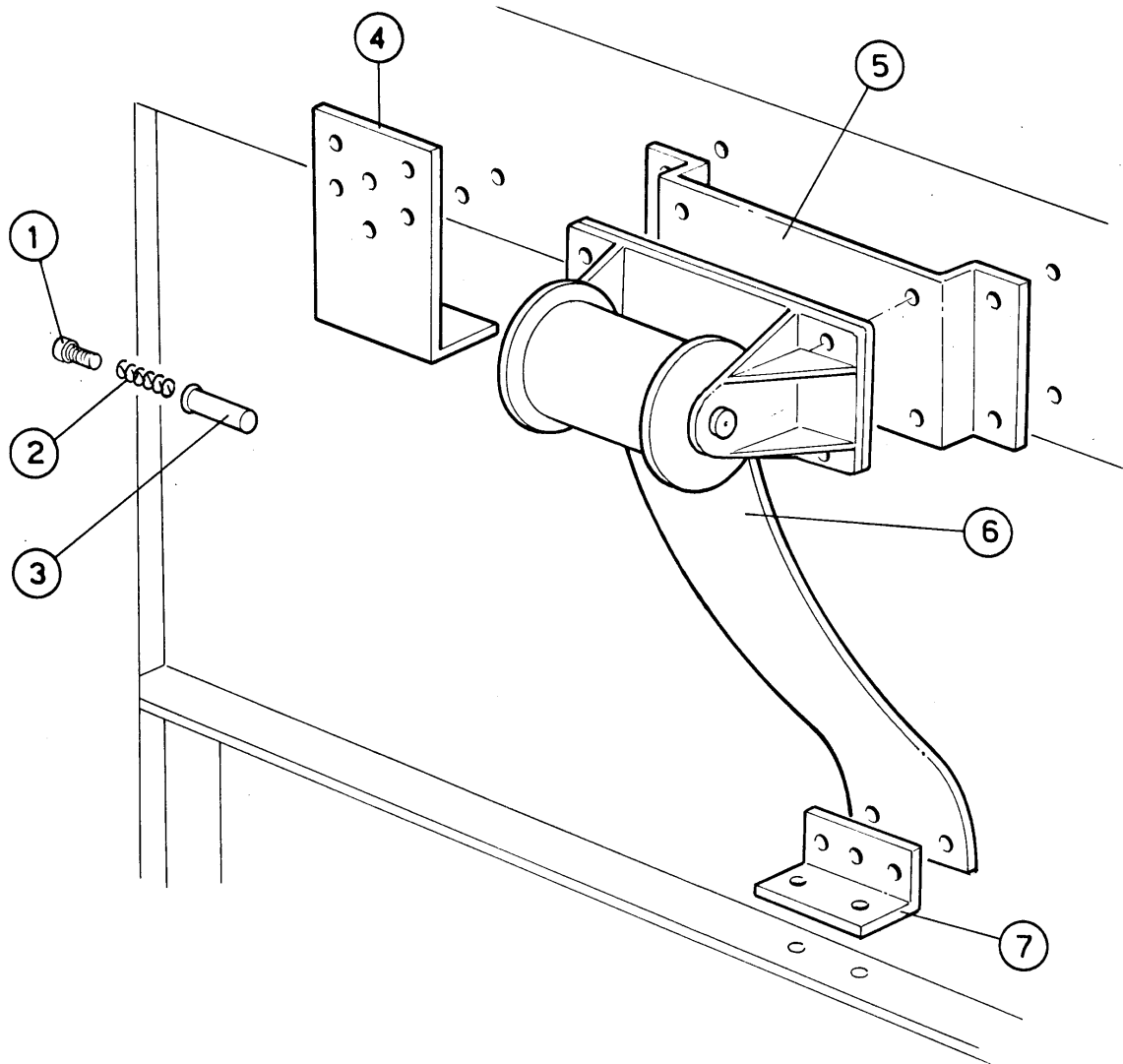
21 - Door micro-switch assy.

| CODE | DESCRIPTION |
|--------|--------------------------------|
| 120342 | DOR MAGNETIC SWITCH |
| 190806 | MAGNET HOUSING |
| 331112 | HOOK (331116) |
| 331454 | MICRO SWITCH BRACKET |
| 341016 | BRACKET FOR DOOR SECURITY HOOK |
| 411002 | PERMANENT MAGNET 24X12 |
| 620233 | DOOR MAGN.SWITCH G/NE/NG/LV |



22 - Solenoid valve

| CODE | DESCRIPTION |
|--------|--------------------------------|
| 120108 | SOLENOID V. STEAM 24V50HZ 1"G |
| 120162 | SOLENOID VALVE L145R1Z734A 3/4 |
| 120163 | SOLEN.VAL.ST.L145R1Z234A 1"24V |
| 120165 | SOLEN.VALVE ST.24V50HZ 3/4" |
| 150033 | CONNEC.F.SOLEN.VALVE 182.09.N |
| 630611 | SOLEN.VALVE DIAPHRAGM L149/D4- |
| 630625 | KIT F.SOLEN.VALVE |
| 630626 | KIT FOR SOLENOID VALVE 145 1" |
| 630628 | KIT F.SOLEN.V.L153D1 3/4" |
| 630952 | COIL F.SOLEN.VALVE 3/4" 24V L1 |
| 630972 | COIL Z534A/V.24-L145A-3/4 |
| 630973 | COIL Z614A/V.24-L145-3/4 A |
| 630974 | COIL Z134A/220V.L153D7BP3/4 |



23 - Door counterbalance

| CODE | DESCRIPTION |
|-------------|--------------------------------|
| 330845 | BUSH FOR DOOR FRICTION RAIL N |
| 331426 | BRACKET F. HOOD SPRING FIXING |
| 331430 | BRACKET FOR DOOR SPRING |
| 331712 | BRACKET |
| 341239 | PIN F.DOOR FRICTION RAIL N S |
| 391309 | DOOR SPRING 4KG - 40MM |
| 450215 | SPRING F.SWITCH ROD R/B41-11-2 |

630518
 631661 Ø 122
 200848
 630128

100698 220/240 - 380/415 50 Hz
 100705 220/240 - 380/415 60 Hz
 100699 255/440 60 Hz

HP 0,75 / Kw 0,55 **(CEA 120/2)**

630529

631661 50 Hz Ø 122
 631696 60 Hz

200848
 630128

100789 220/240 - 380/415 50 Hz
 100792 220/240 - 380/415 60 Hz
 100793 255/440 60 Hz

HP 0,75 / Kw 0,55 **(CEA 120/2/A)**

630520

631693 50 Hz Ø 116
 631694 60 Hz Ø 90

200948
 460526
 460525

100697 220/240 - 380/415 50 Hz
 100709 220/240 - 380/415 60 Hz

HP 4 / Kw 3 **(SHE 50)**

24 - Pump

| CODE | DESCRIPTION |
|-------------|---------------------------------|
| 100697 | PUMP HP 4 230/400/50 SHE 50 |
| 100698 | PUMP HP 0,75-CEA120 (100789) |
| 100699 | PUMP 1HP 255/440 60HZ CE1206/1 |
| 100705 | PUMP HP0,75 220-380 60H(100792) |
| 100709 | PUMP HP 4 220/380/415V 60HZ |
| 100789 | PUMP HP 0,75 220/415V |
| 100792 | PUMP HP 0,75 220/415 |
| 100793 | PUMP HP 0,75 |
| 200848 | O-RING FOR PUMP 0,75 HP CEA 12 |
| 200948 | OR GASKET |
| 460525 | GASKET INLET ELBOW WASH PUMP |
| 460526 | GASKET DELIVERY ELBOW WASH P. |
| 630128 | PUMP VOLUTE 0,75HP CEA120/2 |
| 630518 | PUMP SEAL HP0,75 CE120 |
| 630520 | PUMP SEAL HP4-HTE50E |
| 630529 | SEAL FOR PUMP HP0,75 CEA120/2A |
| 631661 | IMPELLER PUMP 0,75HP LOW.CE120 |
| 631693 | IMPELLER FOR PUMP 100697 |
| 631694 | IMPELLER |
| 631696 | IMPELLER 60HZ FOR PUMP 100792 |